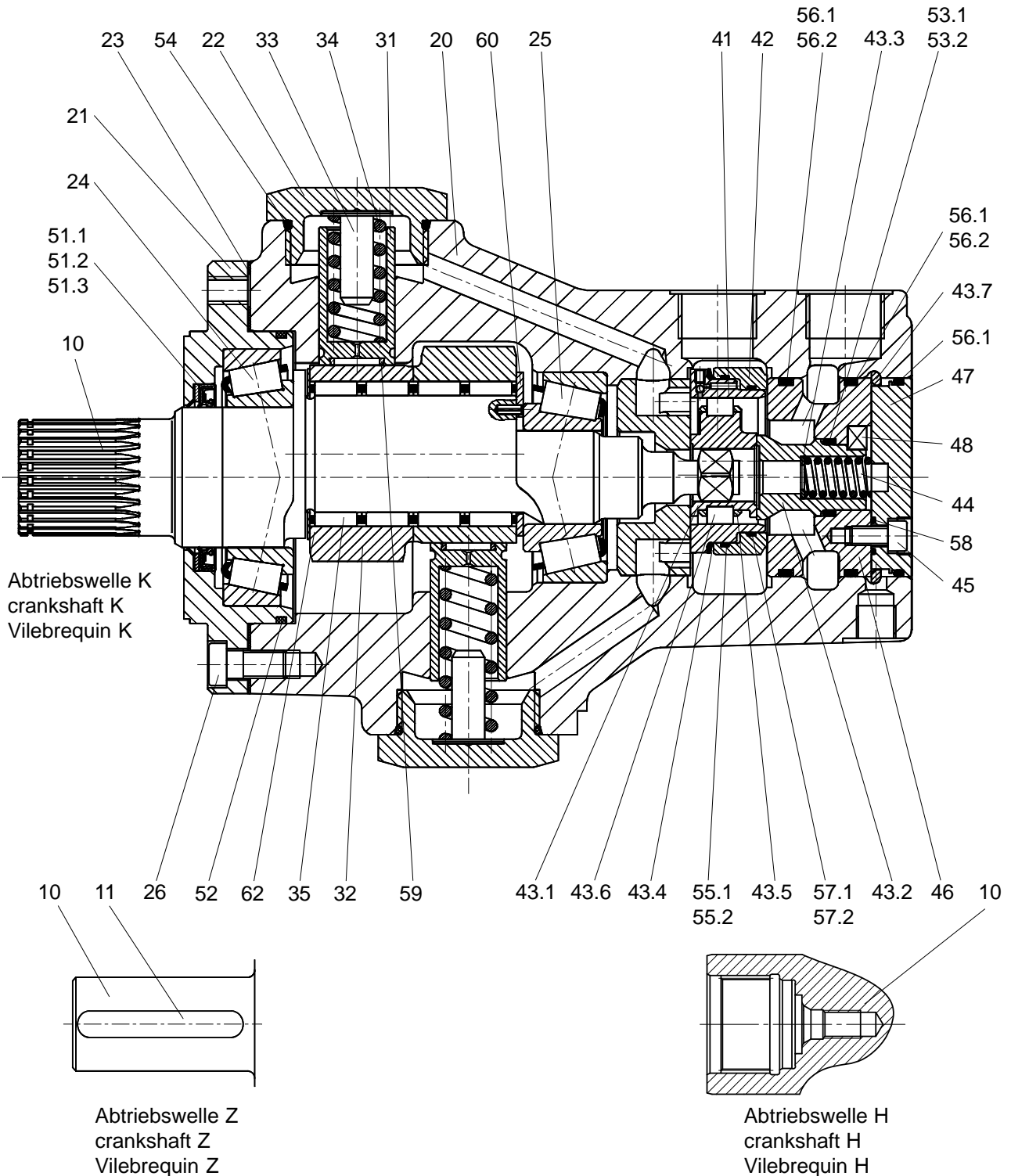


RM 250NKA	50.2410.00	RM 250NKA1	50.2410.09	RM 250NKAF	50.2410.01	RM 250NKA1F	50.2410.02
RM 250NZA	50.2420.00	RM 250NZA1	50.2420.09	RM 250NZAF	50.2420.01	RM 250NZA1F	50.2420.02
RM 250NHA	50.2430.00	RM 250NHA1	50.2430.09	RM 250NHAF	50.2430.01	RM 250NHA1F	50.2430.02
RM 250NKAV	50.2440.00	RM 250NKA1V	50.2440.09	RM 250NKAVF	50.2440.01	RM 250NKA1VF	50.2440.02
RM 250NZAV	50.2450.00	RM 250NZA1V	50.2450.09	RM 250NZAVF	50.2450.01	RM 250NZA1VF	50.2450.02
RM 250HAV	50.2460.00	RM 250NHA1V	50.2460.09	RM 250HAVF	50.2460.01	RM 250NHA1VF	50.2460.02



Änderungen vorbehalten! Changes reserved! Sous reserve de modifications!

DÜSTERLOH Fluidtechnik GmbH * Im Vogelsang 105 * D - 45527 Hattingen * ☎ +49 / (0) 2324 / 709-0 * Fax +49 / (0) 2324 / 709-110

Index Ref. No. No d'Indice	Bezeichnung	Description	Designation	Teil. Nr. Order No. No.d'Ordre	Stück QTY Pièce
10	Kurbelwelle 250K	crankshaft 250K	Vilebrequin 250K	50.2402.1001 A	1
10	Kurbelwelle 250Z	crankshaft 250Z	Vilebrequin 250Z	50.2402.2001 A	1
10	Kurbelwelle 250H	crankshaft 250H	Vilebrequin 250H	50.2402.3001 A	1
11	Paßfeder A14x9x70 DIN 6885	shaft key	Ressort d' ajustage	18.0701.0919	1
20	Motorgehäuse NA kpl. mit Steuerspiegel	motor case NA cpl. with distributor	Carter de moteur NA cpl. avec niveau de commande	50.2401.21	1
20	Motorgehäuse NA1 kpl. mit Steuerspiegel	motor case NA1 cpl. with distributor	Carter de moteur NA1 cpl. avec niveau de commande	50.2401.22	1
21	Lagerdeckel	bearing cover	Couvercle du chapeau de palier	50.2101.1003	1
21	Lagerdeckel F	bearing cover F	Couvercle du chap. de palier F	50.2101.1103	1
22	Stopfen	stuffing	Bouchon	50.2101.1004 A	10
23	Paßscheibe	shim	Rondelle d' ajustage	50.2101.1006	1
24	Kegelrollenlager 32212A DIN 720	taper roller bearing	Palier conique à rouleaux	18.2300.0603	1
25	Kegelrollenlager 32308A DIN 720	taper roller bearing	Palier conique à rouleaux	18.2300.0407	1
26	Zylinderschraube M12x25 DIN7984 - 10.9-A2C	socket head cap screw	Vis à tête cylindrique	18.0235.0711	5
30	Kolben mit Fünfkanttring beinhaltet: Pos. 31 - 35	piston with polygon ring contain: Pos. 31 - 35	Piston à Bague à 5 pans contient: Pos. 31 - 35	50.2100.20 D	2
31	Kolben kpl.	piston cpl.	Piston cpl.	50.2100.21	10
32	Fünfkanttring	polygon ring	Bague à 5 pans	50.2100.2002 B	2
33	Federteller	spring guide	Cuvette de ressort	50.2100.2003	10
34	Feder	coil spring	Ressort cylindrique	17.0070.0279	10
35	Nadelkranz K50x62x22	needle cage	Cage à aiguilles	18.2110.0501	4
41	Steuerinnenring kpl.	control ring (inner) cpl.	Bague inter. de commande cpl.	50.2104.11	1
42	Steueraußenring	control ring (outer)	Bague extérieure de commande	50.2104.1002	1
43.1	Exzenter	eccentric	Excentrique	35.4010.0027	1
43.2	Druckstück	thrust member	Organe de pression	35.5054.0026 A	1
43.3	Scheibe 10,5 DIN 433	disc	disque	18.0032.0014	1
43.4	Kugellager-Ausgleichscheibe 79x71x0,6	shim washer	Rondelle élastique	20.0044.0500	2
43.5	Rollenkäfig	roller cage	cage de roulement à rouleaux	35.4010.0039 A	1
43.6	Zylinderrolle 7,5x11 DIN 5402	cylindrical roller	Rouleau cylindrique	18.2510.0019	6
43.7	Sprengtring	circlip	Jonc	50.2104.1009	1
44	Feder	coil spring	Ressort cylindrique	17.0070.0157	1
45	Zylinderschraube M8x16 DIN 912 - 12.9	socket head cap screw	Vis à tête cylindrique	18.0220.0507	2
46	Büchse	pressure plate	Douille	35.5054.0020	1
47	Schlußdeckel	end cover	Couvercle de fermeture	35.5054.0008 A	1
48	Paßfeder A10x8x28 DIN 6885	shaft key	Ressort d' ajustage	18.0701.0711	1
50	Dichtungssatz kpl., NBR enthält: Pos. 51.1-59	seal kit complete, NBR contain: Pos. 51.1-59	Jeu de joints, compl., NBR contient: Pos. 51.1-59	50.2403.10 C	1
51.1	Schmutzabstreifer	wiper ring (Teflon)	Racleur d'impuretés (Teflon)	50.2103.1016	1
51.2	Distanzring	spacer ring	Bague d'ecartement	50.2103.1015	1
51.3	Wellendichtring 60x80x7/7,5 BABSL	radial shaft seal ring	Bague à lèvres avec ressorts	20.0020.6001	1
52	O-Ring 113,89x3,53 70°Shore	o-ring	Joint torique	20.0040.1140	1
53.1	O-Ring 26,59x2,95 90°Shore	o-ring	Joint torique	20.0040.0271	1
53.2	Stützring (PTFE-Bronze)	back-up ring	Bague d'appui	35.4010.0053	1
54	O-Ring 54x3 92°Shore	o-ring	Joint torique	20.0040.0541	10
*	im Bild nicht dargestellt	not shown in the picture	Ne sont pas illustrés		

Änderungen vorbehalten! Changes reserved! Sous reserve de modifications!

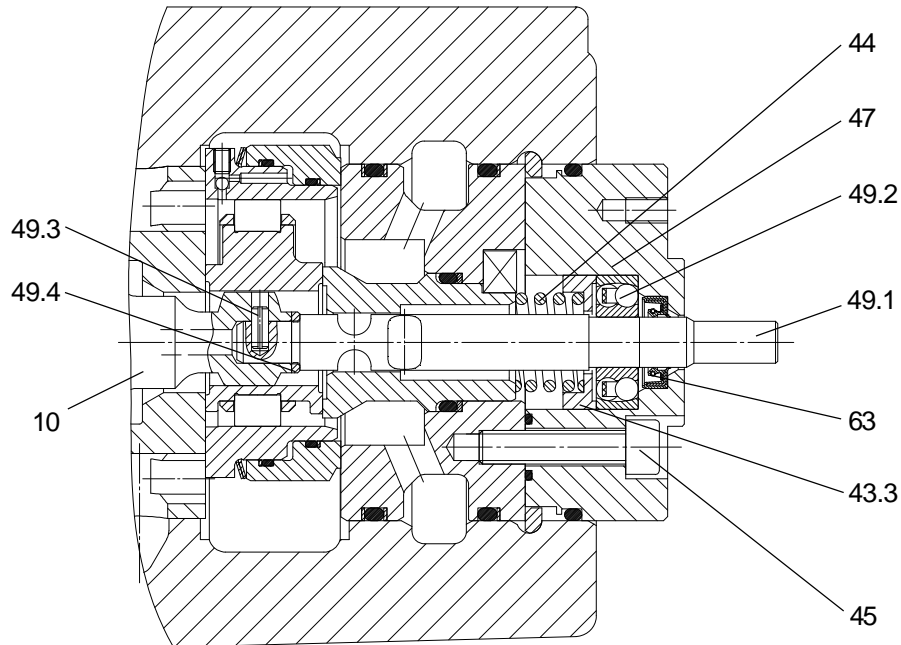
DÜSTERLOH Fluidtechnik GmbH * Im Vogelsang 105 * D - 45527 Hattingen * ☎ +49 / (0) 2324 / 709-0 * Fax +49 / (0) 2324 / 709-110

Index Ref. No. No d'Indice	Bezeichnung	Description	Designation	Teil. Nr. Order No. No.d'Ordre	Stück QTY Pièce
55.1	O-Ring 69,57x1,78 90°Shore	o-ring	Joint torique	20.0040.0691	1
55.2	Stützring (PTFE-Bronze)	back-up ring	Bague d' appui	50.2103.1017	1
56.1	O-Ring 75,79x3,53 90°Shore	o-ring	Joint torique	20.0040.0760	3
56.2	Stützring (PTFE-Bronze)	back-up ring	Bague d' appui	50.2103.1009	3
57.1	O-Ring 60,05x1,78 90°Shore	o-ring	Joint torique	20.0040.0605	1
57.2	Stützring (PTFE-Bronze)	back-up ring	Bague d' appui	50.2103.1018	1
58	O-Ring 11,89x1,98 90°Shore	o-ring	Joint torique	20.0040.0120	2
59	Dichtring (PTFE-Bronze)	seal ring	Bague d' étanchéité	35.4010.0046	10
50	Dichtungssatz kpl., FPM enthält: Pos. 51.1-59	seal kit complete, FPM contain: Pos. 51.1-59	Jeu de joints, compl., FPM contient: Pos. 51.1-59	50.2403.20 C	1
51.1	Schmutzabstreifer	wiper ring (Teflon)	Racleur d'impuretés (Teflon)	50.2103.1016	1
51.2	Distanzring	spacer ring	Bague d'ecartement	50.2103.1015	1
51.3	Wellendichtring 60x80x7/7,5 BABSL-FPM	radial shaft seal ring	Bague à lèvres avec ressorts	20.0020.6011	1
52	O-Ring 113,89x3,53 FPM 70°Shore	o-ring	Joint torique	20.0041.1140	1
53.1	O-Ring 26,59x2,95 FPM 90°Shore	o-ring	Joint torique	20.0041.0270	1
53.2	Stützring (PTFE-Bronze)	back-up ring	Bague d' appui	35.4010.0053	1
54	O-Ring 56,2x3 FPM 90°Shore	o-ring	Joint torique	20.0041.0560	10
55.1	O-Ring 69,57x1,78 FPM 90°Shore	o-ring	Joint torique	20.0041.0691	1
55.2	Stützring (PTFE-Bronze)	back-up ring	Bague d' étanchéité	50.2103.1017	1
56.1	O-Ring 75,79x3,53 FPM 90°Shore	o-ring	Joint torique	20.0041.0760	3
56.2	Stützring (PTFE-Bronze)	back-up ring	Bague d' appui	50.2103.1009	3
57.1	O-Ring 60,05x1,78 FPM 90°Shore	o-ring	Joint torique	20.0041.0605	1
57.2	Stützring (PTFE-Bronze)	back-up ring	Bague d' appui	50.2103.1018	1
58	O-Ring 11,89x1,98 FPM 90°Shore	o-ring	Joint torique	20.0041.0120	2
59	Dichtring (PTFE-Bronze)	seal ring	Bague d' étanchéité	35.4010.0046	10
60	Scheibe	disc	Disque	35.0000.0016	1
61*	Spannhülse 4x10 DIN 1481	clamping pin	Goupille de serrage	18.0670.0705	1
62	Anlaufscheibe	buffer disc	Disque de démarrage	35.4010.0026	1
	Transport-Zubehör (A)	parts necessary for transport (A)	Material nécessaire pour transport (A)		
80*	Dichtschaube G 1 GPN 737	screwed sealing plug	Vis de fermeture	20.0038.0218	2
81*	Dichtschaube G 3/8 GPN 737	sealing plug	Vis de fermeture	20.0038.0215	1
	Transport-Zubehör (A1)	parts necessary for transport (A1)	Material nécessaire pour transport (A1)		
80.1*	Flanschabdeckung SAE 1" - 6000 PSI	flange covering	Couvercle de bride	35.0000.0106	1
80.2*	Dichtung	seal	Joint	35.0000.0107	1
80.3*	Sechskantschraube M10x16 DIN 933 - 8.8	hexagon srew	Vis hexagonale	18.0130.1412	2
81*	Dichtschaube G 3/8 GPN 737	sealing plug	Vis de fermeture	20.0038.0215	1
*	im Bild nicht dargestellt	not shown in the picture	Ne sont pas illustrés		

Änderungen vorbehalten! Changes reserved! Sous reserve de modifications!

DÜSTERLOH Fluidtechnik GmbH * Im Vogelsang 105 * D - 45527 Hattingen * ☎ +49 / (0) 2324 / 709-0 * Fax +49 / (0) 2324 / 709-110

RM 250NKAM 50.2411.00	RM 250NKA1M 50.2411.09	RM 250NKAMF 50.2411.01	RM 250NKA1MF 50.2411.02
RM 250NZAM 50.2421.00	RM 250NZA1M 50.2421.09	RM 250NZAMF 50.2421.01	RM 250NZA1MF 50.2421.02
RM 250NHAM 50.2431.00	RM 250NHA1M 50.2431.09	RM 250NHAMF 50.2431.01	RM 250NHA1MF 50.2431.02
RM 250NKAVM 50.2441.00	RM 250NKA1VM 50.2441.09	RM 250NKAVMF 50.2441.01	RM 250NKA1VMF 50.2441.02
RM 250NZAVM 50.2451.00	RM 250NZA1VM 50.2451.09	RM 250NZAVMF 50.2451.01	RM 250NZA1VMF 50.2451.02
RM 250NHAVM 50.2461.00	RM 250NHA1VM 50.2461.09	RM 250NHAVMF 50.2461.01	RM 250NHA1VMF 50.2461.02



Index Ref. No. No d'Indice	Bezeichnung	Description	Designation	Teil. Nr. Order No. No.d'Ordre	Stück QTY Pièce
10	Kurbelwelle 250KM	crankshaft 250KM	Vilebrequin 250KM	50.2402.1001 A	1
10	Kurbelwelle 250ZM	crankshaft 250ZM	Vilebrequin 250ZM	50.2402.2001 A	1
10	Kurbelwelle 250HM	crankshaft 250HM	Vilebrequin 250HM	50.2402.3001 A	1
43.3	Federhaltescheibe	spring support disk	Disque de support pour ressort	50.4104.1212 A	1
44	Feder	coil spring	Ressort cylindrique	17.0070.0161	1
45	Zylinderschraube M8x35 DIN 912 - 12.9	socket head cap srew	Vis à tête cylindrique	18.0220.0513	2
47	Schlußdeckel M	end cover M	Couvercle de fermeture M	50.2104.1207	1
49.1	Meßwelle	measuring shaft	Arbre de mesure	50.2104.1210 B	1
49.2	Pendelkugellager 1201	self-aligning ball bearing	Palier à rotule	18.2060.0121	1
49.3	Spannhülse 4x10 DIN 1481	clamping pin	Goupille de serrage	18.0670.0705	1
49.4	Distanzring 15x10,5x2,0	spacer ring 15x10,5x2,0	Bague d'ecartement	50.2105.0201	1
63	Wellendichtring 12x22x6/6,5 BABSL	radial shaft seal ring	Joint à lèvres à ressort	20.0020.1200	1
63	Wellendichtring 12x22x6/6,5 BABSL - FPM	radial shaft seal ring	Joint à lèvres à ressort	20.0020.1211	1
	Transport - Zubehör M	parts necessary for transport	Material nécessaire pour transport		
82.1*	Meßwellenschutz	shaft protection	Arbre protection	16.5105.0001	1
82.2*	Zylinderschraube M6x10 DIN 912 - 12.9	socket head cap srew	Vis à tête cylindrique	18.0220.0404	2
*	im Bild nicht dargestellt	not shown in the picture	Ne sont pas illustrés		

Änderungen vorbehalten! Changes reserved! Sous reserve de modifications!

DÜSTERLOH Fluidtechnik GmbH * Im Vogelsang 105 * D - 45527 Hattingen * ☎ +49 / (0) 2324 / 709-0 * Fax +49 / (0) 2324 / 709-110